

Hydrafacial™

Meet Syndeo™:
The Smartest
Device in
Skin Health

60+ patents.

12 treatments.

**Thousands of ways
to personalize.**



The Best Decision for Your Business

Syndeo is the future of skin health. Its cloud-connected platform makes treatment more seamless than ever before—while delivering glowing results that clients of all skin types will love and offering new opportunities and innovative intelligence for every aesthetic business. Discover thousands of treatment combinations to personalize every Hydrafacial experience.



Future Data Collection



100% Touch-Free Experience



Cloud-Based Data Platform



Seamless Gesture Control



Business Intelligence



Upgrade In-Treatment Prompts



Patented Vortex-Fusion Technology



12 Treatments in 1 Device



Custom Backlight Colors



Automatic Serum Selection





Give Your Clients What They Want

We're dialed into the emerging consumer trends influencing our industry:

Simplification

Multi-benefit solutions that save time

Personalization

Treatments tailored to specific skin concerns

Recommendation

Skin health technology and regimen education

Consumers want Hydrafacialists to proactively offer personalized solutions and educate on their ideal, easy-to-follow skin health regimen

Consistency

Monthly treatments deliver the best results; no matter where in the world they are, protocol and service quality remains the same

94% of clients say they feel more confident after their treatment*

* Hydrafacial Brand, NPS, Confidence, Opportunity Fact-VBase (N=8,320 gen pop, 1,092 Ever HF), EddieWouldGrow, LLC analysis 2022

Hydrafacial™

It's All in the Magic Wand

It uses patented Vortex-Fusion Technology to open pores and get up close and personal with skin, easily removing impurities and infusing active ingredients.

The magic of the wand is that it can be personalized in all different ways for a skincare experience like no other.

- Adjustable suction level based on extraction needs
- Infusion targeted boosters based on your skin needs
- Customizable Hydropeel tips for different levels of exfoliation

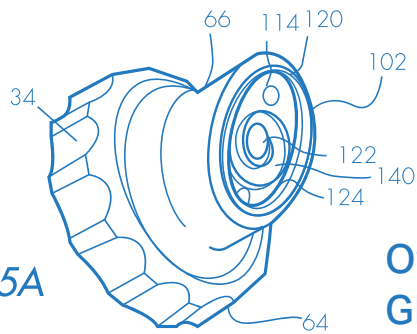
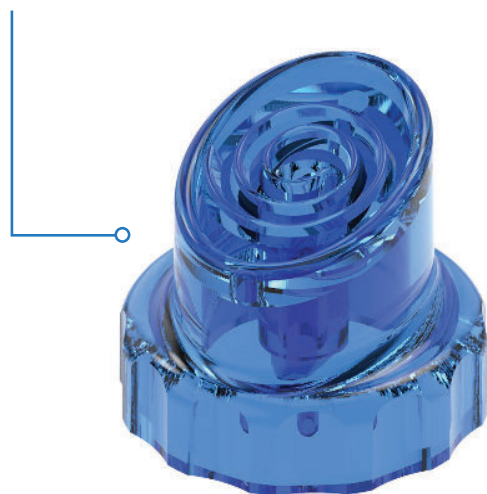


FIG. 5A

Over 60 Patents Globally



Out with the Gunk.
In with the Good.



Skincare That Goes Beyond the Face

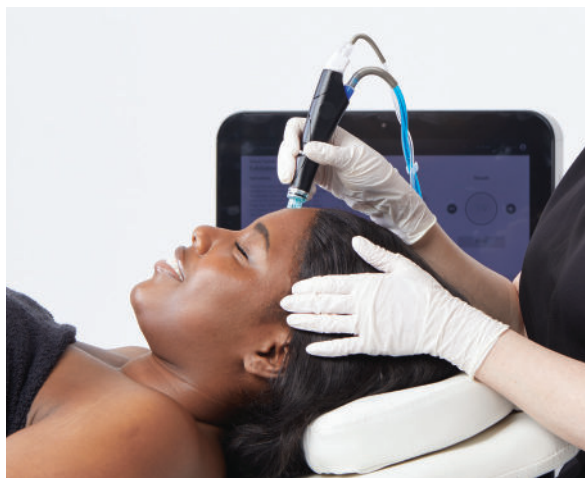
Our device can be used all over the body for a glow from scalp to toe.

Hydrabody Treatments

- Scalp with Keravive
- Booty
- Back
- Legs
- Arms
- Neck & Décolletage
- Hands

Hydrafacial™

3 Steps. 30 Minutes. The Best Skin of Their Lives.



Cleanse

Deeply cleanses and exfoliates with a gentle peel to uncover a new layer of skin.

Extract

Removes impurities from pores with painless gentle suction.

Hydrate

Saturates the skin's surface with intense moisturizers and nourishing ingredients.

Personalization Opportunities with Every Treatment

A seamless way to enhance your clients' experience and results while increasing your bottom line.

Nourish with Boosters

Potent, concentrated boosters target specific concerns by infusing active ingredients into skin; choose from a wide range of proprietary formulas by HydraFacial and our expert partners.

Rejuvenate with LED Light Therapy

Professional strength LED Light Therapy converts into cellular energy to soften full face wrinkles and calm acne and inflammation.

Sculpt with Lymphatic

Lymphatic therapy helps remove impurities from the skin to lift and contour while reducing the appearance of puffiness.



Hydrafacial Delivers Results

Clinically proven to improve^{4,5}:



Fine lines and wrinkles



Congestion and post-acne scars



Dull, fatigued, and stressed skin



Uneven skin texture



Dehydrated skin



Redness



Chronically dry/damaged skin



Dark spots and pigmentation



30%

Additional reduction to brown spots when paired with IPL

vs IPL alone

2x

Firmer and smoother skin when paired with non-ablative fractional laser or fractional RF

vs non-ablative fractional laser or fractional RF alone

2x

Smoother skin when paired with RF or focused ultrasound treatment

vs RF or focused ultrasound treatment alone

50%

Smoother skin when paired with ablative fractional laser

vs ablative fractional laser alone

Hydrafacial™

Wins, Endorsements, and Partnerships

What Others Have to Say About Us



Winner of:

2022 New Beauty Award
for Best Hydrating Facial

2022 Cosmopolitan
Holy Grail Acne Award for
Best Pro Acne Facial



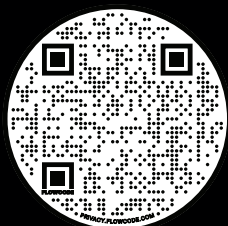
60+ Patents Globally

Over 95% "Worth It" rating on RealSelf for 5+ years ¹

95% of our providers feel like Hydrafacial is extremely useful for attracting new clients into their practice ²

92% of clients would switch providers or estheticians if they did not offer Hydrafacial

Some of Our Partnerships



HydraFacial™
The Smartest Device in Skin Health

hydradfacial.com | @hydradfacial | #hydradfacial

HydraFacial is a registered trademark of HydraFacial LLC. Copyright 2022 HydraFacial LLC. All rights reserved.
CS 012305

1. Realself, Inc. realself.com/nonsurgical/hydradfacial. Nov 2022.

2. Data on file. HydraFacial, LLC

3. Freedman BM. Topical antioxidant application enhances the effects of facial microdermabrasion. J Dermatolog Treat. 2009;20(2):82-87.

4. Freedman BM. Hydradermabrasion: an innovative modality for nonablative facial rejuvenation. J Cosmet Dermatol. 2008;7(4):275-280.